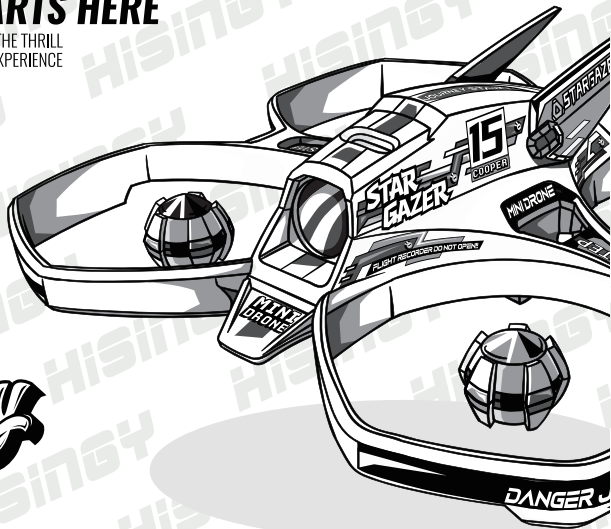


STARGAZER

JOURNEY STARTS HERE

FLY ANYWHERE AT ANYTIME, FEEL THE THRILL
OF THE IMMERSIVE INDOOR FPV EXPERIENCE



Hisingy

HISINGY.com

**DESIGNED BY PROS
FOR EVERYONE**

INSTRUCTION MANUAL

FPV MADE EASY
MINI DRONE



STARGAZER
MINI DRONE



reddot winner 2022

Red Dot Award: Product Design




**Please read this instruction manual carefully before using this product.
This instruction manual contains important information, please
safekeeping.**

CATALOGUE


Instruction Manual 01




1 Get to Know Your Aircraft Specifications 09



2 HISINGY App

- ▲ 2.1 Register Your Aircraft
 - ▲ 2.2 Aircraft Configuration 13
- 


3 Assembly / Disassembly

- ▲ 3.1 Exploded View & Part List
 - ▲ 3.2 Assembly Guide
 - ▾ 3.2.1 AIO Flight Controller Installation
 - ▾ 3.2.2 Motor Installation
 - ▾ 3.2.3 Propeller Installation
 - ▾ 3.2.4 Camera Installation
 - ▾ 3.2.5 Final Assembly 19
- 

4 Led Indicator 37



5 Fly Your Aircraft

- ▲ 5.1 Preparation & Checklist Before First Flight
 - ▲ 5.2 About Flying
 - ▾ 5.2.1 Self-test
 - ▾ 5.2.2 Take off
 - ▾ 5.2.3 Hovering
 - ▾ 5.2.4 Landing
 - ▾ 5.2.5 Emergency Landing
 - ▲ 5.3 Flight Mode
 - ▲ 5.4 Aircraft Configuration 40
- 

6 Description of Limited Warranty 53



INSTRUCTION MANUAL



This is a “drone” for everyone
Think of it as your new toy of choice



NOTICE

All instructions, warranties and other related documents are subjected to change at the sole discretion of "HISINGY" Cockatoo & Friends Co., Ltd. For up-to-date information and other supports please visit official website www.hisingy.com.



Terminology of Importance

The following terms are used throughout the product literature to indicate various levels of potential harm when operating this product.



WARNING

Failure to follow the procedures described in the following section properly create the probability of property damage, collateral damage, and serious injury or create a high probability of superficial injury.



CAUTION

Failure to follow the procedures described in the following section properly create the probability of physical property damage and a possibility of serious injury.



NOTICE

Failure to follow the procedures described in this instruction may result in property damage but there is little chance of injury.



WARNING

- Please read the ENTIRE instruction manual to familiarize with the product features before using. Failure to operate the product correctly can result in product damage, property damage and cause serious injury.
- This is a sophisticated product. Please exercise cautions when operating. Common sense and basic mechanical ability are required.
- Failure to use this product in a safe and responsible manner may result in damage to the product or other property.
- This product is not intended for use by children without adult supervision. Do not use incompatible components or alter this product in any way outside of the instructions provided by "HISINGY" Cockatoo & Friends Co., Ltd. This document contains detailed instructions for safety, operation and maintenance. It is essential to read and follow all the instructions and warnings in advance so as to proper operation and to avoid product damage or serious injury.



**Age Recommendation: Not for children under 14 years old.
This is not a toy.**



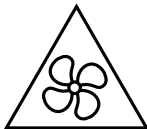
**Small parts may be lost or ingested.
Please keep out of reach of children under 3 years old.**



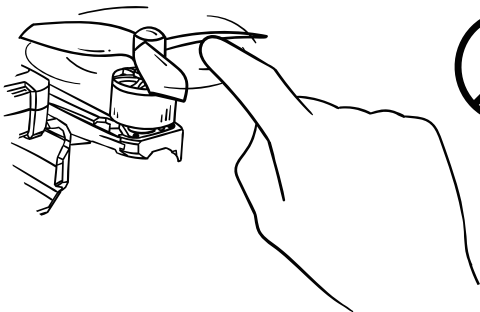
Safety Precautions and Warnings

1. Always keep a safe distance in all directions around your aircraft to avoid collision or damage. This aircraft is controlled by radio signals may be subject to interference from many sources (Wi-Fi routers, cell towers, microwave, large home appliances, radio stations, etc.) that is out of your control. These interference can cause momentary control loss to the aircraft.
2. Always operate your aircraft in an indoor space away from vehicles, roads, traffic and people.
3. Always carefully follow the directions and warnings on this product and optional supporting equipment (chargers, rechargeable flight / device battery, etc.).
4. Always keep all chemicals, small parts and anything electrical (flight / device battery) out of the reach of children.
5. Always keep all non-waterproof equipment out of contact with water, moisture can damage electronic equipment.
6. The operating temperature range of the aircraft, controller, FPV headset and charger is 0°C-45°C. Operating at temperatures below or exceeding the specified temperature range could affect the flight battery and device battery, resulting in loss of performance, compromise of structural integrity and safety problems, and could cause overheating or leaking. Do not operate when the temperature exceeds 45°C.
7. Never place any portion of the aircraft in your mouth, as it could cause serious injury or even death.
8. Never operate your aircraft with low controller / FPV headset battery.
9. Always keep your aircraft in sight and under control.
10. Always move the throttle fully down or trigger the emergency cutoff function at the time of the crash.
11. Do not stare at the LED indicator light at the rear of the aircraft closely for a long period of time, as this may result in eye discomfort.
12. Always use fully charged batteries.
13. Always keep controller powered on while the aircraft is powered on.

14. Always remove batteries before disassembly and assembly.
15. Always keep moving parts (motors and propellers) clean.
16. Always remove batteries after use.
17. Never operate aircraft with damaged wiring.
18. Never touch moving parts (motors and propellers).



WARNING: Do not touch rotating propeller blades. Always keep a safe distance from rotating propellers to avoid incision.

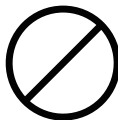


PROHIBITED

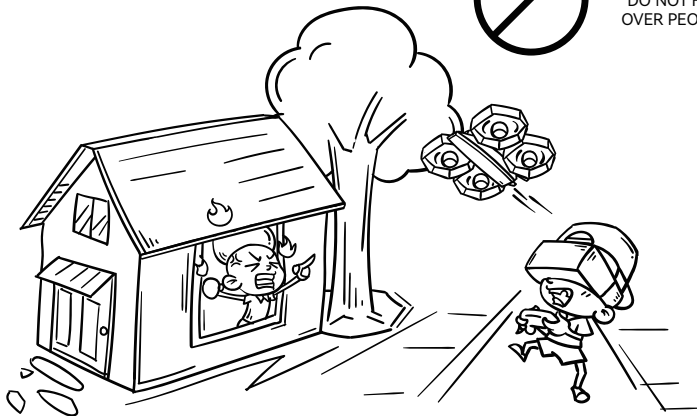
PLEASE
DO NOT TOUCH



WARNING: Do not fly over crowded or over people.



PROHIBITED
DO NOT FLY
OVER PEOPLE





WARNING: Please follow local privacy laws and regulations when operating the aircraft. To avoid interrupting aviation radio signals and air traffic, operating your aircraft within 5 statute miles of an airport is strictly prohibited. The use of remote controllers and the aircraft should be stopped as required, during the period and/or within the area where radio restrictions were imposed by the government.



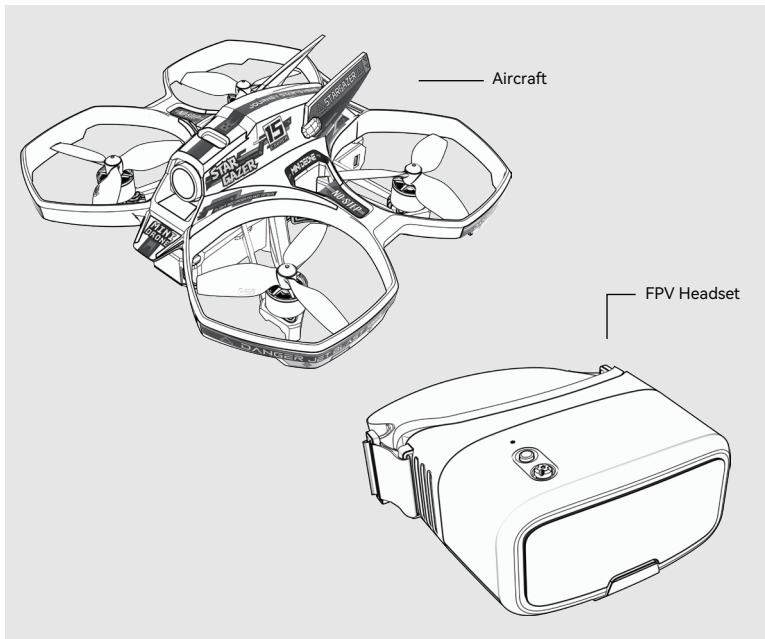


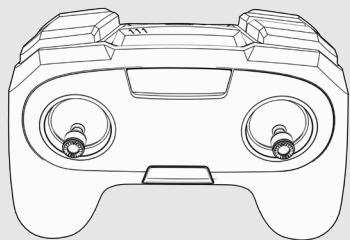
GET TO KNOW YOUR AIRCRAFT

“Pocket fly, journey starts here.”

A “drone” for everyone.

Feel the thrill of immersive First-Person-View flight and explore HISINGY world!



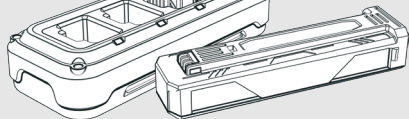


Controller



Flight Battery

Charger



This package only contains aircraft.

Controller, FPV Headset, Flight Battery and Charger need to be purchased separately.

Specifications

Specifications	
Motor Wheelbase	86mm
Length	110mm
Width	118mm
Height	45mm
Takeoff Weight	78g
Standard Endurance	5mins (laboratory data)



NOTICE

The standard endurance of the aircraft is affected by comprehensive factors such as pilot control style, wind condition, environment / battery temperature, battery sag / aging and aircraft mechanical condition. The standard endurance data listed is recorded under ideal flight conditions (constant low-speed cruise of an aircraft in perfect mechanical condition, with fully charged battery, calm weather, at 25°C ambient temperature).

HISINGY App is a great tool to configure your aircraft, acquire SINERGY, receive latest news, enjoy special offers and more. Download HISINGY App and register your equipments via scanning QR codes on the Item ID card to start your journey!

2

APP

HISINGY

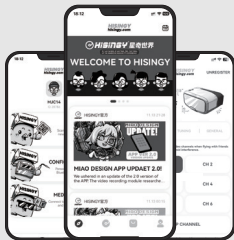
2.1 REGISTER YOUR AIRCRAFT



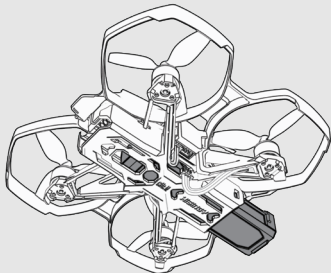
Download HISINGY App and create your account.



APP DOWNLOAD

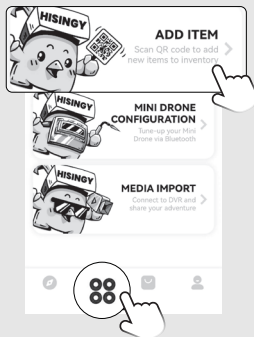


Please perform the following procedures with a fully charged battery. (Please refer to chapter 4 “About Battery” for details)

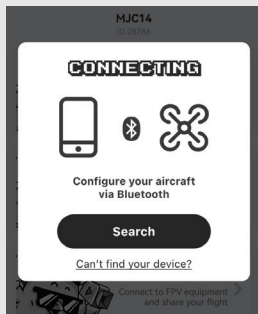




Open HISINGY App, go to “Device” page (second to the left icon on bottom of the main page) , tap “Add Item” and follow the prompt. Use your phone camera to scan Item ID Card QR code to add your device or other items.



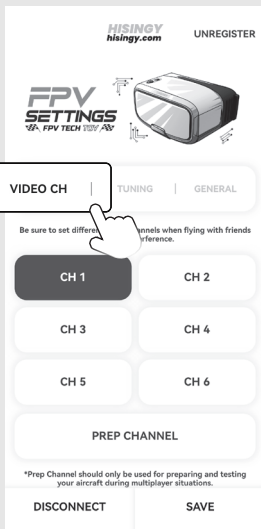
Turn on Bluetooth on your phone, tap “Aircraft Configuration” and register your aircraft following the prompt. You can update your aircraft as well as adjust many of its features / parameters from this page.



2.2 AIRCRAFT CONFIGURATION

A. Video Transmission Channel

This aircraft has several video transmission channels for you to choose from. Switching between channels only take noticeable effect when linked to FPV headset. (Please refer to chapter 8 “FPV Equipment” for details).





CAUTION

If multiple aircrafts are operating on the same channel at the same location, their video signal will interfere with each other. Please determine channel in advance and set accordingly before flying with others.

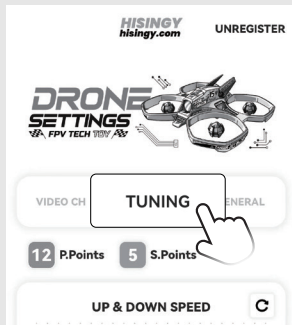


NOTICE

Some video transmitter channels may become unusable in certain countries or regions as they may not comply with local laws and regulations.

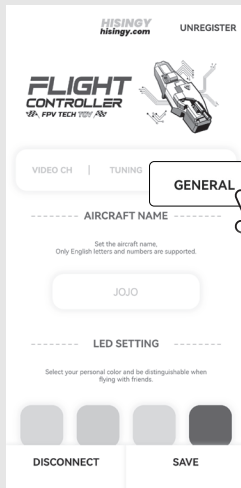
B. Handling Tuning

Tune the handling of your aircraft via HISINGY App to your own preference. Complete daily challenges, acquire SINERGY and unlock more performance!



C. General Setup

Make changes to various features and parameters, such as device name, LED color, aircraft trim, sport mode activation, collision protection activation / deactivation, stick mode change and update flight controller via HISINGY App.



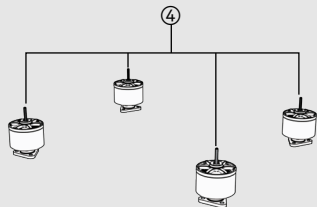
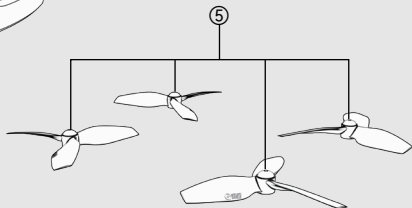
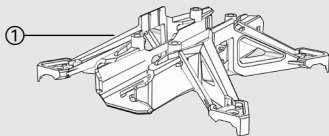
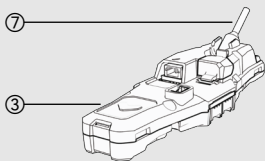
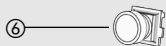
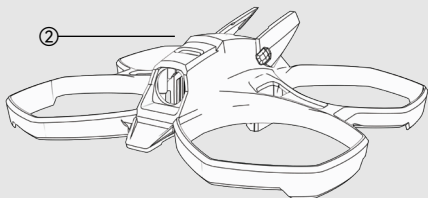
NOTICE

When connecting to the aircraft via Bluetooth, to avoid conflict, please disconnect or switch off other Bluetooth devices.

3

ASSEMBLY

DISASSEMBLY



3.1 Exploded View & Part List

	Item No.	Description	Part List
①	md010401	CH-SW01 (RTF)	Screw M1.6x4 (4)
②	md010301	StarGazer S15 (RTF)	Camera Frame, Screw ST1.4x5 (2)
③	md010501	AFC-SW01	Video Transmitter, Screw ST1.4x5 (2)
④	md010701	Magic Star Motor	Screw M1.4x2 (12)
⑤	md010804	Propeller 3B0101 (set)	/
⑥	md010601	Base-CAM	/
⑦	md010603	Base-ANT	/

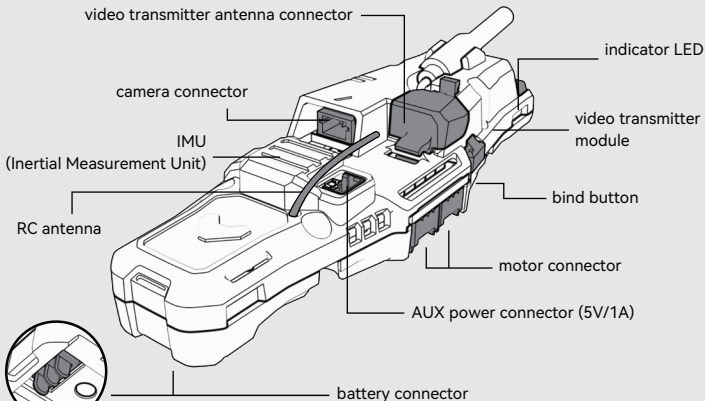
3.2 ASSEMBLY GUIDE



WARNING

Please follow the instructions of this guide carefully when assemble the aircraft. Fail to do so may result in damage to the aircraft or bodily injuries.

Flight Controller

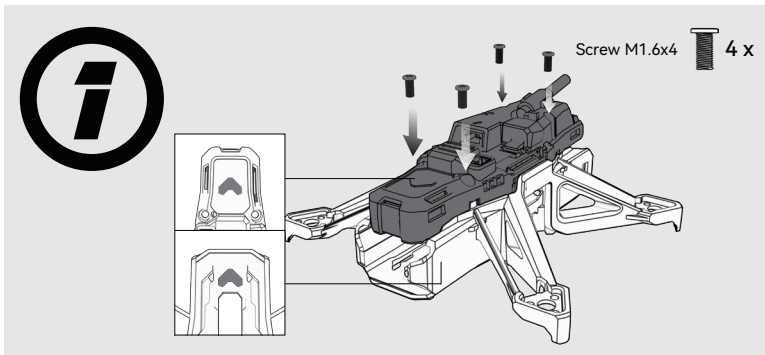




CAUTION

1. The flight controller is a sophisticated electronic device, please do not disassemble or modify under any circumstances. Fail to comply to this precaution could result in damage of the product, injury or fire, and will void any warranty provided by HISINGY.
2. Please keep flight controller away from strong magnet and avoid electric static discharge during the installation / removal process.
3. Please use the correct screws specified by the assembly guide to install the flight controller onto the chassis. Make sure the flight controller is mounted onto the chassis in the correct orientation according to the illustrations.

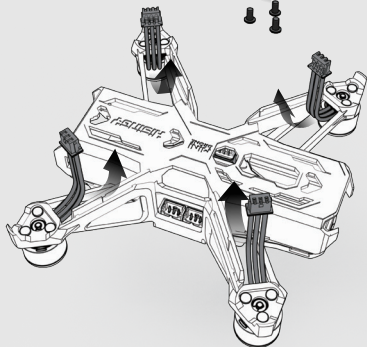
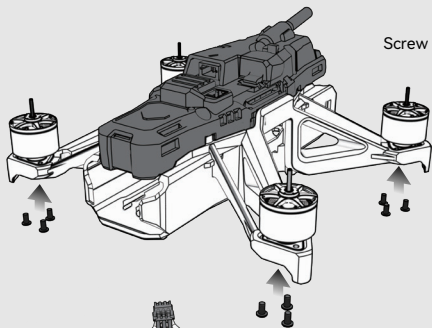
3.2.1 AIO Flight Controller Installation

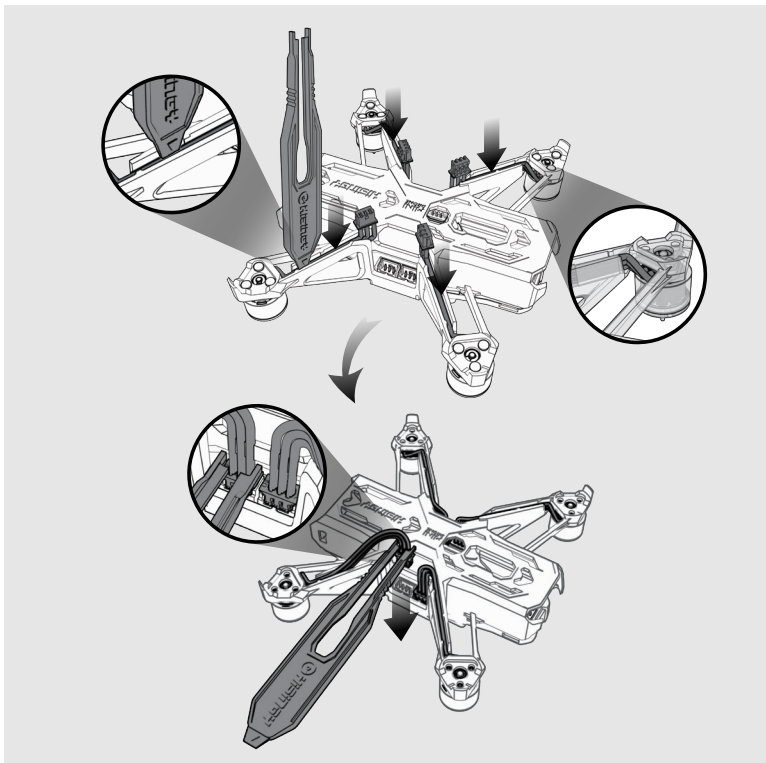


CAUTION

1. The flight controller is a sophisticated electronic device, please do not disassemble or modify under any circumstances. Fail to comply to this precaution could result in damage of the product, injury or fire, and will void any warranty provided by HISINGY.
2. Please keep flight controller away from strong magnet and avoid electric static discharge during the installation / removal process.
3. Please use the correct screws specified by the assembly guide to install the flight controller onto the chassis. Make sure the flight controller is mounted onto the chassis in the correct orientation according to the illustrations.

3.2.2 Motor Installation







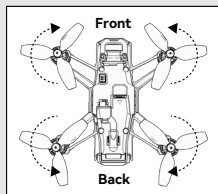
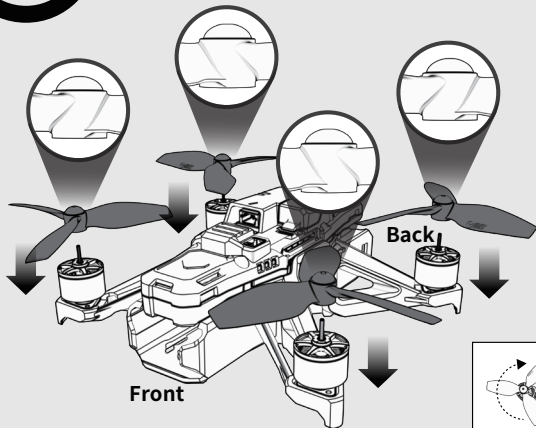
WARNING

1. Motors has highly precise structure and can be easily damaged by external force. Please handle with care during the installation / removal process.
2. Please check to make sure the motor connector is connected to the flight controller in the correct orientation. Reversed connection could cause irreversible damage to the flight controller and the motor.
3. Please do not pull the motor wire. Broken motor wire will result in open circuit and motor not running.

3.2.3 Propeller Installation



Please pay attention to the installation direction of propeller



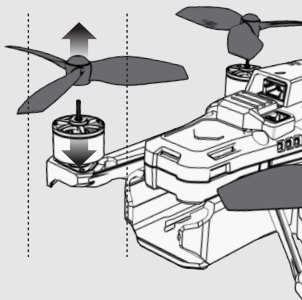


CAUTION

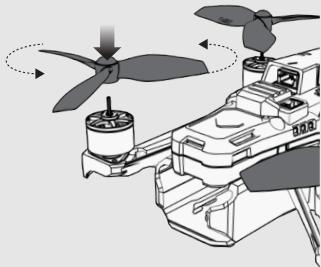
1. Please refer to the illustration when installing the motor and the propeller. Installing the propeller incorrectly will result in the aircraft becoming unflyable.
2. To install the propeller, align the hole in the center of the propeller to the motor shaft and apply pressure along the motor shaft. To remove the propeller, pull the propeller straight up along the motor shaft. Excessive force or side pressure may cause structural damage to the propeller and motor.
3. Be careful not to force the propeller down onto the motor shaft too much, make sure the propeller and motor can rotate freely together.
4. The edge of the propeller is sharp, please be careful when handling.
5. Keep your body part away from the fan blades and away from the path of movement.



During installation, press the propeller vertically on the motor shaft at the correct position. When removing, lift and pull vertically from the motor to remove the propeller.



Be careful not to press the propeller too low on the shaft. After correct installation, the propeller and motor should be able to rotate freely.



3.2.4 Camera Installation

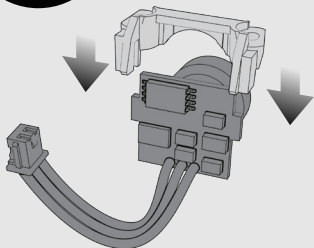


Fix the camera onto the fuselage

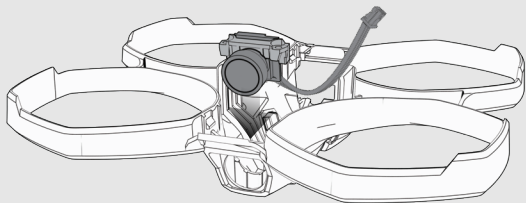
Screw ST1.4x5

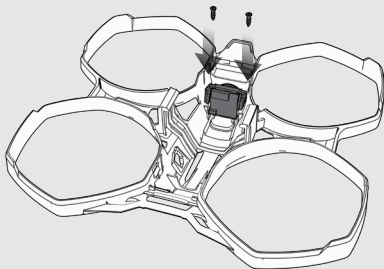


2 x

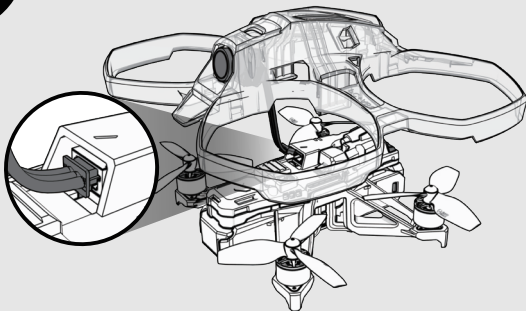


Please pay attention to the installation direction of the camera





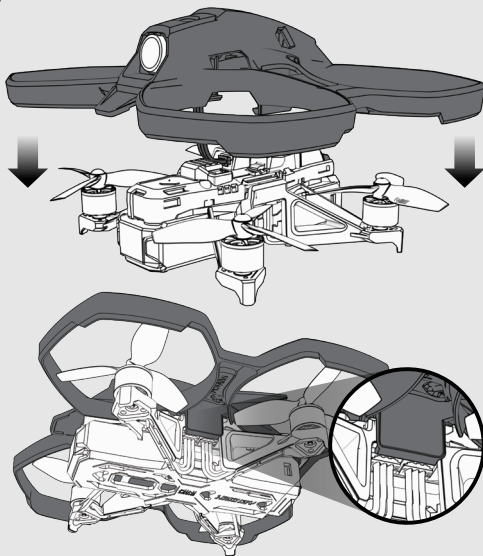
Connect camera cable to the flight controller



3.2.5 Final Assembly

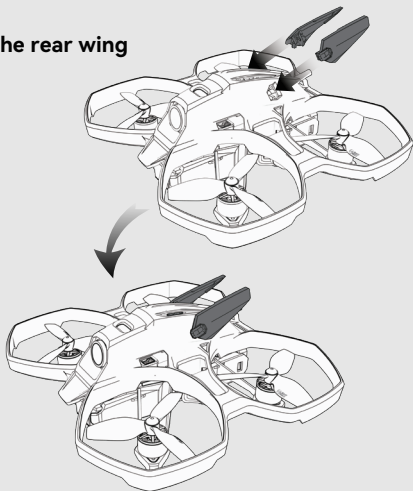


Mount the fuselage on the chassis





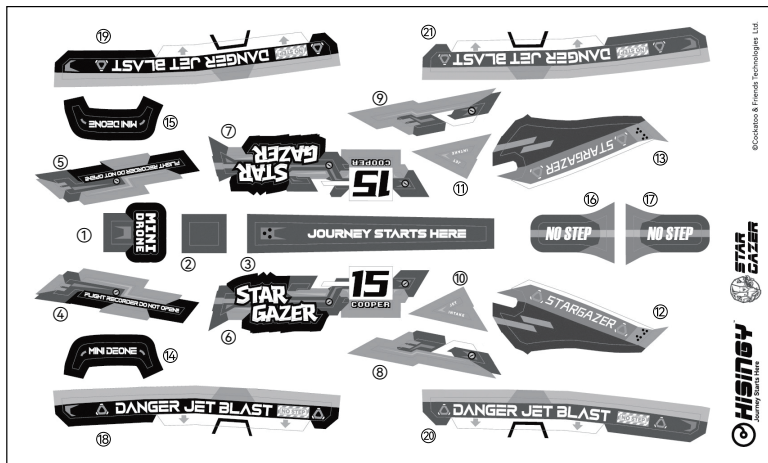
Install the rear wing

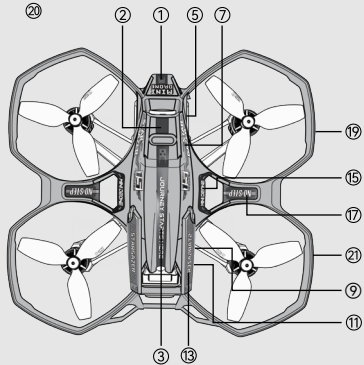
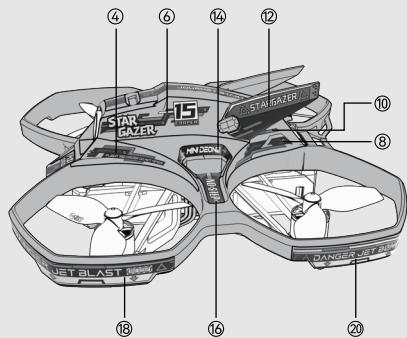


CAUTION

1. Please pay attention not to clip the cable and antennas (RC antenna, camera cable and video transmitter antenna) when mounting the fuselage.
2. Do not bend RC antenna and video transmitter antenna over 90°. Bent antennas will cause deterioration of radio signal.

DECAL

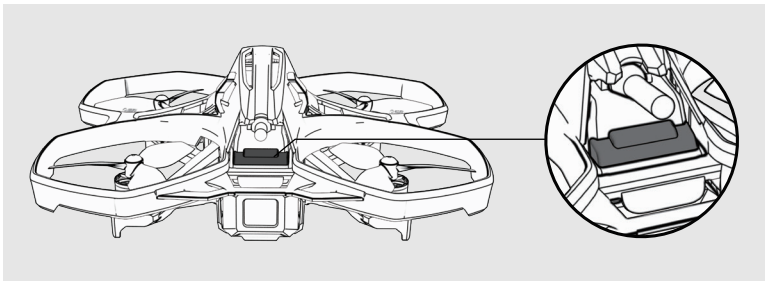




4

LED

INDICATOR



Abnormal

Status	Indicator LED
Flight controller malfunction / self-test failed	Cyan (or user defined color) left and right rapid alternation
Collision protection emergency stop	Multi-color slow alternated breathing
RC signal loss	Multi-color slow alternated breathing
Flight battery level low	Cyan (or user defined color) slow flash
Flight battery level low emergency landing	Cyan (or user defined color) rapid flash

Normal

Status	Indicator LED
Flight controller power on	Multi-color slow alternated breathing
Standby (connected to the controller)	Cyan (or user defined color) breathing
Binding	Multi-color rapid alternation
Flying	Cyan (or user defined color) steady on
Flight mode change (altitude assist mode, sport mode)	Altitude assist mode: Cyan (or user defined color) double blink 2 times Sport mode: Cyan (or user defined color) double blink 3 times
Flight mode change (roll over mode)	Cyan (or user defined color) double blink for 3 seconds
Flight mode change (beacon mode)	Cyan (or user defined color) double blink 3 times
Bluetooth connection / data saved	Blue and white rapid alternation
Bluetooth OTA update	Blue and white slow alternated breathing

Note: There are 8 preset colors in the indicator LED, user can switch through HISINGY App.

5

**FLY YOUR
AIRCRAFT**

5.1 Preparation & Checklist Before First Flight



WARNING

Please follow the checklist closely when doing preflight preparation and inspection. Fail to follow the checklist may result in property damage or bodily injury.

1. All equipments are in working condition

A	Controller and FPV headset start up normally
B	Motors and propellers: rotate smoothly with no visible damage

2. All devices are sufficiently charged

A	Controller and FPV headset: battery level \geq 80%
B	Flight battery: battery level \geq 85%

3. Check the connection status of the aircraft

A	Controller and aircraft: RC link established
B	FPV headset and aircraft: on same video transmission channel and video feed is normal

4. Find a safe flying spot

A	Indoor space with no valuables / obstructions, with area greater than 16m ² (175 ft ²) and ceiling height greater than 3m (10 ft)
B	Environment is free of strong radio interference, stay clear of Wi-Fi router, cell tower and satellite communication systems etc.

5. Everyone present have been informed of the flight

A	Pilot can ensure his / her own safety
B	Everyone present have been informed of the flight and is able to ensure their own safety

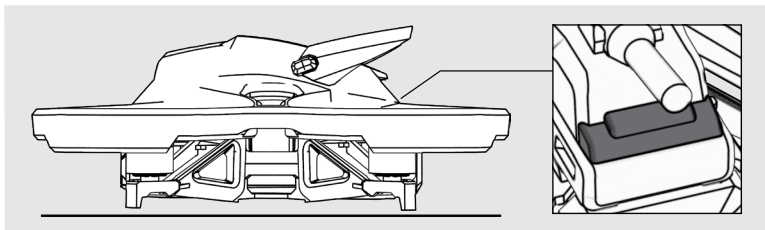
6. Fly legally

Study and comply with relevant laws and regulations within your area

5.2 About Flying

5.2.1 Self-test

After connecting the flight battery, the aircraft will enter the self-test stage, during which sensors like IMU and barometer will be calibrated.



Self-Test Successful

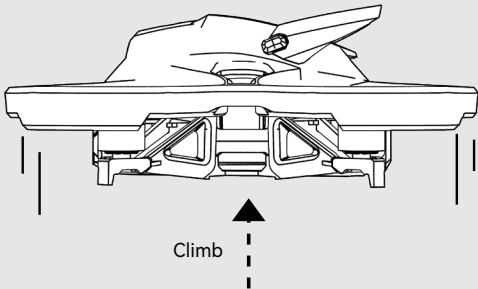
- A. After connecting the flight battery, please place the aircraft on level surface and wait about 10 seconds to let the aircraft complete self-test. The indicator LED will display cyan (or user defined color) and alternate from left to right during this stage.
- B. The indicator LED will display cyan breathing (or user defined color) when self-test is complete.

Self-Test Failed

- A. Loss of RC signal: the indicator LED slowly alternate in multiple colors;
Solution: redo the binding process, please refer to chapter 5.2 "Controller and Aircraft Binding" for details.
- B. Sensor calibration failure: The indicator LED will display cyan (or user defined color) alternate from left to right and stuck in this state instead of passing on to cyan breathing after a few seconds.
Solution: Restart the aircraft, let it rest still on a level surface and wait till self-test is complete.
- C. Low power: The indicator LED will display cyan and flashes slowly (or user-defined color).
Solution: Use a fully charged flight battery, or charge the current flight battery.

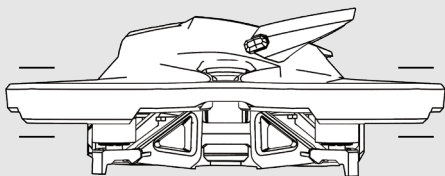
5.2.2 Take Off

Long press the engine start button to start the motors. Slowly increase the throttle until the aircraft is hovering above 60cm (2ft), then gently move the right joystick to counter the drift and maintain a stable hover.



5.2.3 Hovering

- The aircraft can adjust the throttle automatically to maintain a relatively stable altitude in altitude assist mode. There is no need to over control the throttle.
- The aircraft can adjust the throttle automatically to maintain a relatively stable altitude in altitude assist mode. However, it is still necessary to manually control the horizontal movement of the aircraft to maintain stable flight.
- When practicing to hover above the same position, please apply frequent micro adjustments to the right joystick to counter the omnidirectional drift that the aircraft might encounter. (For more details, please download HISINGY App to perform aircraft trim)
- If the aircraft drifts towards a fixed or random direction at relatively high speed on its own, please land first before trying to identify the problem.



Hovering

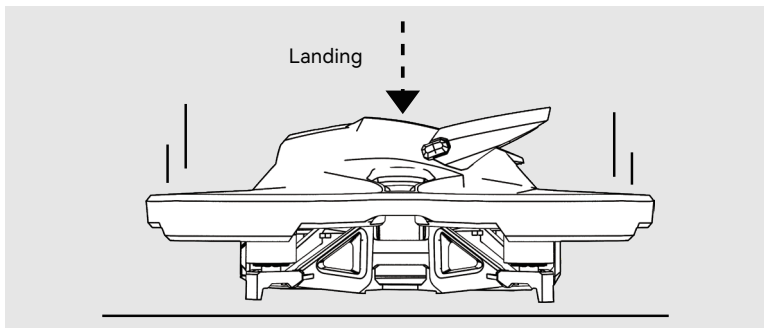


NOTICE

1. If this is your first time operating an aircraft, it is recommended to ask experienced pilot for help before your first flight.
2. Please remember to make smooth and accurate control input to the controller joysticks.
3. The average flight time of the aircraft is about 4mins.

5.2.4 Landing

- To land the aircraft, first maintain a low altitude (60cm) hover, then lower the throttle to the bottom until the aircraft lands and motors stop.
- In state of emergency, the aircraft can also be landed by long pressing the engine start button, this will trigger an emergency cutoff, which will immediately lock all propellers and cause the aircraft to free fall to the ground.
- After landing, please remove the flight battery.



NOTICE

- To prevent excessive wear to the motors, please allow the motors to cool between flights.
- To prevent thermal damage from overheating, please allow the flight controller to cool between flights.
- Crash damage is not covered by HISINGY warranty.

5.2.5 Emergency Landing



WARNING

Please strictly follow the instructions below in case of any emergency. Fail to do so may result in damage to the aircraft or bodily injuries.

Low Battery Landing

A. Flight battery level low

After the flight battery level drop to a certain point, the aircraft will automatically enter landing mode and descend slowly to the ground to prevent over-discharge of the flight battery. In this situation, the indicator LED will display cyan (or user defined color) and flash rapidly.

B. Controller/FPV headset battery level low

When the low battery alarm of the controller/FPV headset is triggered, please land the aircraft as soon as possible. Long press engine start button to trigger emergency cutoff in case of emergency.

Loss of Signal

A. Loss of remote control (RC) signal

The aircraft will automatically enter landing mode and descend slowly to the ground in case of RC signal lost. Video signal may still be normal or could be lost together with it. In case of RC signal getting weak or a complete RC signal lost, controller will send one or a few short pulse of vibration. The indicator LED on the aircraft will slowly alternate in multiple colors.

B. Loss of video signal

The aircraft will not automatically enter landing mode when FPV headset lost the video feed. In this case, RC signal may still be normal. Please pull the throttle control (left joystick) all the way to the bottom and hold until the aircraft land normally or trigger an emergency cutoff by long pressing the engine start button in case of emergency. If the RC signal is also lost, the aircraft will automatically enter landing mode and descend slowly to the ground.

Temperature Protection

A. The temperature of the device or environment is too high

When operating for an extended period of time or the ambient temperature is too high, the flight controller may be overheated, which will trigger temperature protection. When overheating is detected, the aircraft will automatically enter landing mode and descend slowly to the ground. The flight cannot be resumed until the temperature drops to a certain point.

B. Damage and aging

Aircraft will suffer from damage and aging after operating for an extended period of time. Conditions like excessive vibration, increased noise and structural damage will occur. In this case, please replace any damaged/aged parts as soon as possible. Poorly maintained aircraft could suffer deterioration in performance and affect flight experience/safety.

5.3 Flight Mode

This aircraft has two flight modes, which can be switched back and forth through pressing function key R1 of the controller.



NOTICE

For the detailed description of the controller, please refer to chapter 1.1 “Key / Function of Controller”.

Altitude Assist Mode

1. Relative flight altitude of the aircraft is maintained within a certain threshold by fusing data from the IMU and other sensors.
2. The tilt angle is limited. When the joysticks are released, the aircraft will return to level flight.



WARNING

The altitude assist mode of the aircraft may be affected and become unstable under following situations:

1. The flight controller has been dismantled and damaged
2. The aircraft has structural damages that hasn't been fixed
3. Motors and propellers are damaged
4. Barometer vent is clogged or damaged
Damaged flight battery
5. High temperature and high humidity environment
6. High wind, high altitude and other environment with unstable atmospheric pressure
7. Flying next to A/C vents, ceiling fans, etc.
- 8.

Sport Mode

Note: In sport mode, there will be no assistance / limitation imposed on altitude control. You will receive full authority over the throttle control, which grants better performance.



WARNING

1. When operating in sport mode, the power consumption of the aircraft usually increases due to rapid changes of throttle input.
2. Power output of the aircraft will become very sensitive and directly reflects pilot throttle input, and will result in unexpected sudden change of altitude if controlled improperly.
3. It is recommended to use this mode when you reach a proficient skill level.

5.4 Aircraft Configuration

Configure the aircraft according to your personal preferences through the HISINGY App.



NOTICE

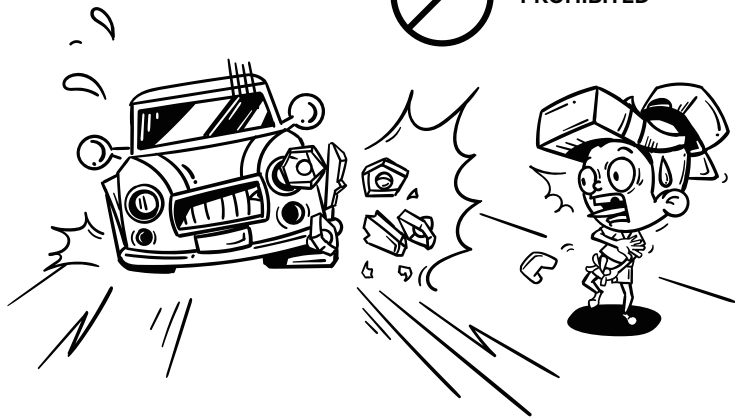
HISINGY App is required for aircraft configuration. For details, please refer to chapter 2.2 "Aircraft Configuration".



WARNING: Do not fly close to traffic

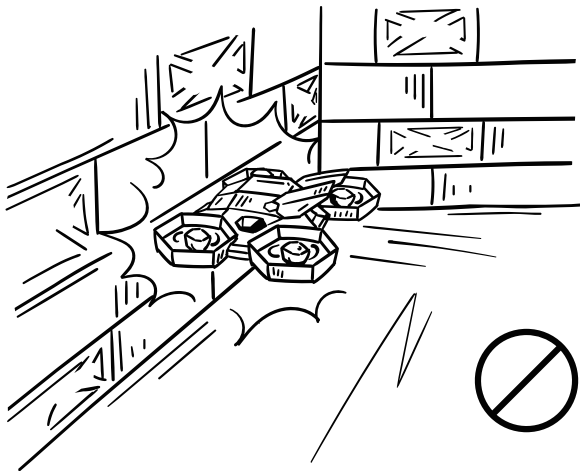


PROHIBITED





WARNING: Please do not fly or impact in a narrow space



9

DESCRIPTION OF **LIMITED WARRANTY**

The Warranty Scope

"HISINGY" Cockatoo & Friends Co., Ltd warrants to the original purchaser that the purchased products are free from material and workmanship defects at the date of purchase.

Not Covered by the Warranty

This warranty is non-transferable and does not cover:

1. Appearance damage authorized by HISINGY
2. Damage caused by force, accident, misuse, abuse, negligence, commercial use or improper use, installation, operation or maintenance
3. Modify or privately modify any part of the product
4. Products purchased from distributors not
5. Products not purchased from authorized HISINGY distributors
6. The product does not comply with applicable technical regulations, laws and regulations in use

Other than the express warranty above, HISINGY makes no other warranty or representation, and hereby disclaims any and all implied warranties, including, without limitation, the implied warranties of non-infringement, merchantability and fitness for a particular purpose. The purchaser acknowledges that they alone have determined that the product will suitably meet the requirements of the purchaser's intended use.

Warranty Claims Notice

HISINGY is only obliged to provide limited compensation to the purchaser if:

1. Service defects
2. Any product deemed defective by HISINGY

HISINGY reserves the right to inspect any and all products covered by warranty claims. It is HISINGY decision whether to provide the service or replace the product. Proof of purchase is required for all warranty claims.

Responsibility and Restraint

HISINGY shall not be liable for special, indirect, incidental or consequential damages, loss of profits or production or commercial loss in any way, regardless of whether such claim is based in contract, warranty, tort, negligence, strict liability or any other theory of liability, even if HISINGY has been advised of the possibility of such damages.

In addition, in no event shall the liability of HISINGY exceed the individual price of the product on which liability is asserted.

As HISINGY has no control over use, setup, final assembly, modification or misuse, no liability shall be assumed nor accepted for any resulting damage or injury. By the act of use, setup or assembly, the user accepts all resulting liability. If you as the purchaser or user are not prepared to accept the liability associated with the use of the product, purchaser is advised to return the product immediately in new and unused condition to the place of purchase.

About Law

These provisions shall be governed by Chinese law. This warranty gives you certain legal rights, and you may have other rights that vary from country to country. "HISINGY" Cockatoo & Friends Co., Ltd reserves the right to change or modify this warranty at any time, and will be notified on www.hisingy.com and HISINGY App.

Warranty Services (Questions, Assistance and Services)

Warranty or service support is not available at your local store or purchase location. You will need to contact your local distributor or HISINGY directly if there is a problem with starting the assembly, installation or use of the product. This will enable HISINGY to better answer your questions and serve you when you may need any assistance.

For questions or assistance, please visit our website www.hisingy.com for product support information, or call the customer service number mentioned in the Contact Warranty and Service Contact Information section to speak with a product supporter.

Inspection or Services

If the product requires inspection or repair and meets the requirements in the country / region where you live and use the product, please use the HISINGY online service on our website to request the submission process, or call HISINGY to obtain a Returned Goods Authorization (RMA) number. Use cartons to securely pack products. Please note that it is best to use the original product packing case, ordinary packing cases are not designed to withstand the strict transportation environment and do not provide additional protection. The shipper and transporter are liable for loss or damage to the package as HISINGY is not responsible for the goods until they have been signed for at our facility. Online service requests are available at www.hisingy.com. If you do not use the Internet, please contact HISINGY Product Support for a RMA number as well as instructions for submitting service offerings. When calling HISINGY, you will be asked to provide your full name, street address, email address, and a phone number where you can be reached during business hours. When sending products to HISINGY, please include your RMA number, a list of included products, and a brief description of the problem. A copy of your original proof of purchase (order, invoice) must be included. Make sure your name, address and RMA number are clearly written on the shipping carton.



NOTICE

Do not ship damaged flight batteries to HISINGY. If you have any questions about flight battery, please contact the appropriate HISINGY Product Support.

Warranty Requirements

Warranty conditions: You must attach your original purchase certificate to verify the date of purchase. If your products meet the warranty conditions, we will provide your products with free repair services or replacement. Repair service or replacement is determined by HISINGY after inspection.

Non-Warranty Service

If your service is not covered by the warranty, we will inform you of the specific payment service.

Federal Communications Commission (FCC) Interference Statement

This equipment has been tested and found to comply with the limits for a Class B digital device, pursuant to part 15 of the FCC Rules. These limits are designed to provide reasonable protection against harmful interference in a residential installation. This equipment generates, uses and can radiate radio frequency energy and, if not installed and used in accordance with the instructions, may cause harmful interference to radio communications. However, there is no guarantee that interference will not occur in a particular installation. If this equipment does cause harmful interference to radio or television reception, which can be determined by turning the equipment off and on, the user is encouraged to try to correct the interference by one or more of the following measures:

- Reorient or relocate the receiving antenna.
- Increase the separation between the equipment and receiver.
- Connect the equipment into an outlet on a circuit different from that to which the receiver is connected.
- Consult the dealer or an experienced radio/TV technician for help.

Note: Any changes or modifications not expressly approved by the party responsible for compliance could void the user's authority to operate the equipment.

RF exposure warning

This equipment must be installed and operated in accordance with provided instructions and the antenna(s) used for this transmitter must be installed to provide a separation distance of at least 20 cm from all persons and must not be co-located or operating in conjunction with any other antenna or transmitter. End users and installers must be provided with antenna installation instructions and transmitter operating conditions for satisfying RF exposure compliance.

This device complies with Part 15 of the FCC Rules. Operation is subject to the following two conditions: (1) this device may not cause harmful interference, and (2) this device must accept any interference received, including interference that may cause undesired operation.

Cockatoo & Friends Co., Ltd.

Dongxiaoqing Industrial Park, No. 205 Zone B, Unit 1277, Dongba Township, Chaoyang District, Beijing, China.

www.hisingy.com

hi@hisingy.com

Manufacturer:

Goertek Robotics Co., Ltd.

Address: A218, Building A, No. 35, Lane 799, Jiasongzhong Road, Qingpu District, Shanghai, P.R. China.

Product name: STARGAZER KIT

Item number: md010201

GB/T 26701-2011



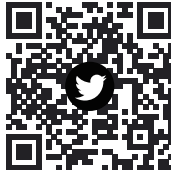
YOUTUBE



INSTAGRAM



FACEBOOK



TWITTER



©2023 Cockatoo & Friends Co., Ltd
"HISINGY" of Cockatoo & Friends Co., Ltd

All other trademarks, service marks or logos are property of their respective owners.
ver.202503

V2.0.25.03